



PLEASE LET US HELP YOU BEFORE RETURNING TO STORE.

For any questions please email us at info@ergomaxoffice.com, or visit us at www.ergomaxoffice.com.

Set-up instructions available on www.ergomaxoffice.com

WE APPRECIATE YOUR FEEDBACK ONLINE. PLEASE HELP US REVIEW THIS PRODUCT AT YOUR PLACE OF PURCHASE.












ITEM# BX4319BK/BX4319WT

42" Gas Spring Standing Table-Black/White

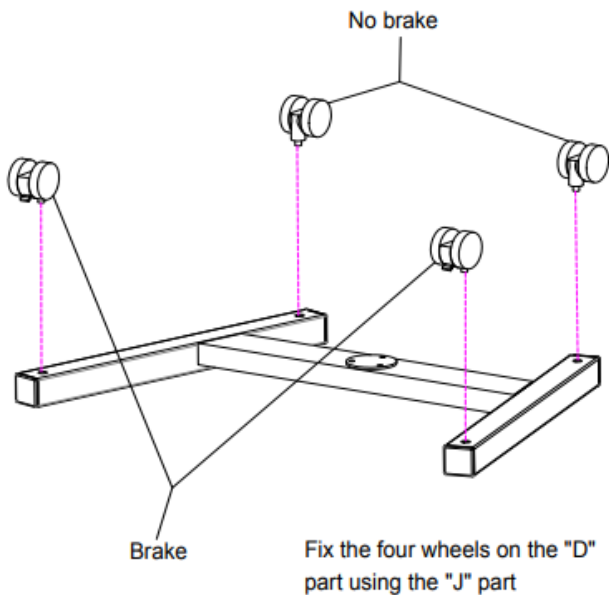


PARTS

| | | | | | | | |
|---|--|--|--|---|--|---|---|
| <p>A</p>  <p>1 Pc</p> | <p>B</p>  <p>1 Pc</p> | <p>C</p>  <p>1 Pc</p> | <p>D</p>  <p>1 Pc</p> | <p>E</p>  <p>M6*13 17 Pc</p> | <p>F</p>  <p>Brake Wheel 2 Pc</p> | <p>G</p>  <p>No Brake Wheel 2 Pc</p> | <p>H</p>  <p>14mm spanner 1 Pc</p> |
| <p>I</p>  <p>4 mm 1 Pc</p> | | | | | | | |

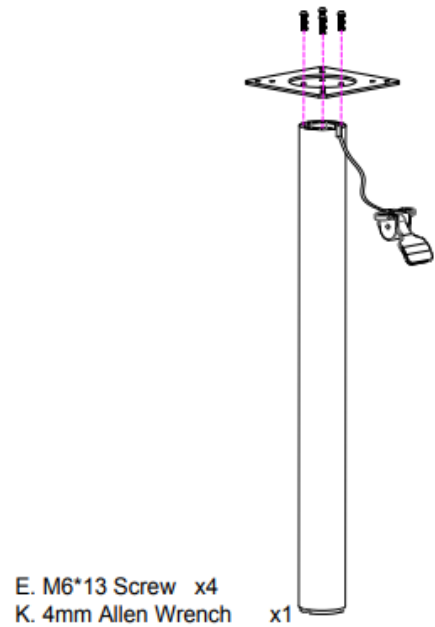
Steps:

STEP 1

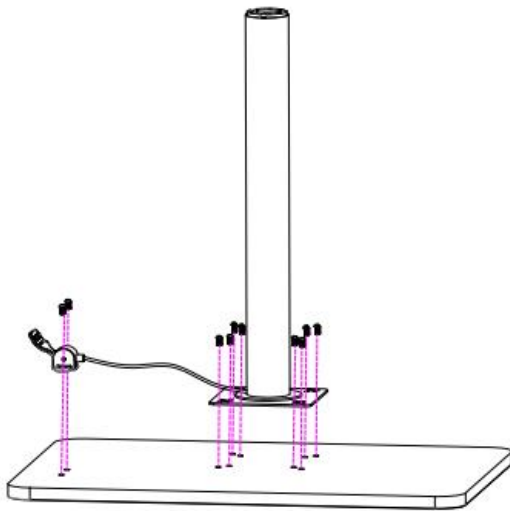


J. 14mm spanner x1

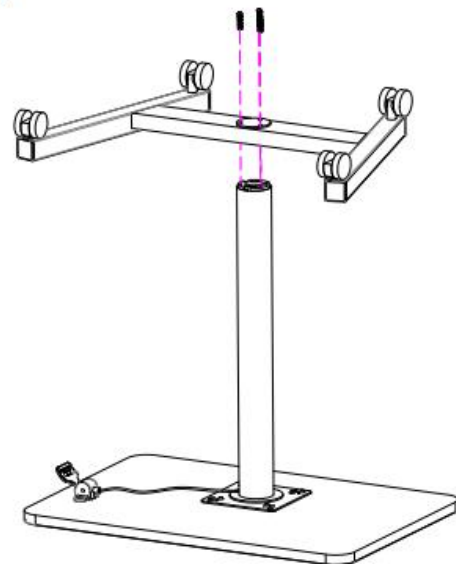
STEP 2



STEP 3

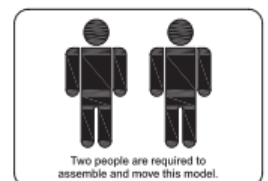


STEP 4

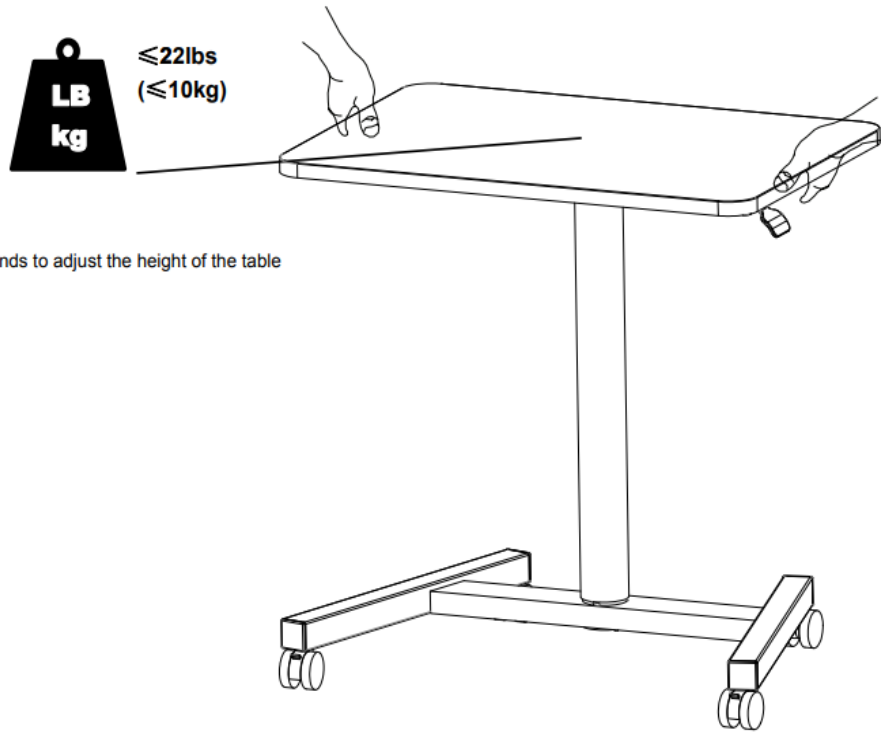


IMPORTANT NOTE:

- Place all laminated parts on a clean and smooth surface such as a rug or carpet to avoid the parts from being scratched.
- Check to be sure that you have all parts and hardware.
- Remove all wrapping materials, including staples and packing straps before you start to assemble.
- Don't tighten all screws/bolts until all completely assembled.
- Keep all hardware parts out of reach of children.
- It is recommended for 2 persons to complete this assembly.



STEP 5



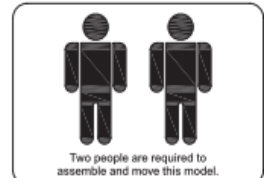
Please use both hands to adjust the height of the table



Caution: Please not exceed the maximum load-bearing capacity of the table, which may cause serious injury or property damage.

IMPORTANT NOTE:

- Place all laminated parts on a clean and smooth surface such as a rug or carpet to avoid the parts from being scratched.
- Check to be sure that you have all parts and hardware.
- Remove all wrapping materials, including staples and packing straps before you start to assemble.
- Don't tighten all screws/bolts until all completely assembled.
- Keep all hardware parts out of reach of children.
- It is recommended for 2 persons to complete this assembly.



PLEASE LET US HELP YOU BEFORE RETURNING TO STORE.

For any questions please email us at info@ergomaxoffice.com, or visit us at www.ergomaxoffice.com.

Set-up instructions available on www.ergomaxoffice.com

WE APPRECIATE YOUR FEEDBACK ONLINE. PLEASE HELP US REVIEW THIS PRODUCT AT YOUR PLACE OF PURCHASE.